



92x92x25 mm

39.5~55.0 CFM

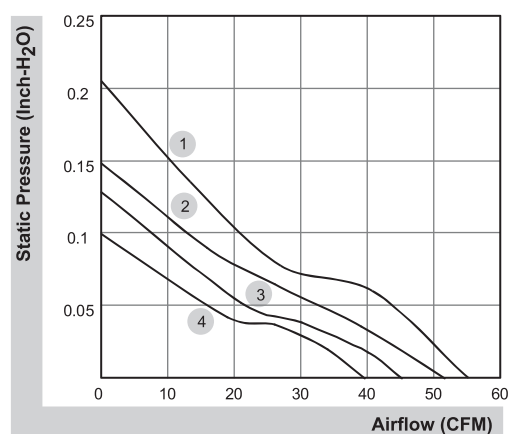


■ Specifications

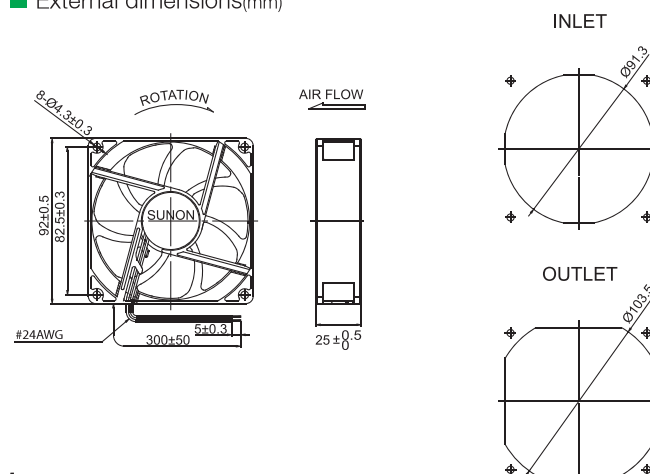
|  | Bearing | Rating Voltage | Power Current | Power Consumption | Speed | Air Flow | Static Pressure | Noise | Weight | Curve |
|---|---------|----------------|---------------|-------------------|-------|----------|-------------------------|---------|--------|-------|
| | ● VAPO | (VDC) | (mA) | (WATTS) | (RPM) | (CFM) | (Inch-H ₂ O) | (dB(A)) | (g) | |
| ME92251VX-000U-A99 | ● | 12 | 190 | 2.28 | 3400 | 55.0 | 0.21 | 37.5 | 103.0 | 1 |
| ME92251V1-000U-A99 | ● | 12 | 165 | 2.00 | 3000 | 51.5 | 0.15 | 34.0 | 96.0 | 2 |
| ME92251V2-000U-A99 | ● | 12 | 135 | 1.60 | 2700 | 45.0 | 0.13 | 32.0 | 94.0 | 3 |
| ME92251V3-000U-A99 | ● | 12 | 91 | 1.30 | 2400 | 39.5 | 0.10 | 28.0 | 94.0 | 4 |
| ME92252VX-000U-A99 | ● | 24 | 100 | 2.40 | 3400 | 55.0 | 0.21 | 37.5 | 103.0 | 1 |
| ME92252V1-000U-A99 | ● | 24 | 87 | 2.10 | 3000 | 51.5 | 0.15 | 34.0 | 94.0 | 2 |
| ME92252V2-000U-A99 | ● | 24 | 68 | 1.60 | 2700 | 45.0 | 0.13 | 32.0 | 94.0 | 3 |
| ME92252V3-000U-A99 | ● | 24 | 56 | 1.30 | 2400 | 39.5 | 0.10 | 28.0 | 94.0 | 4 |

| Model | Bearing | Rating Voltage | Power Current | Power Consumption | Speed | Air Flow | Static Pressure | Noise | Weight | Curve |
|--------------------|---|----------------|---------------|-------------------|-------|----------|-------------------------|---------|--------|-------|
| |  | (VDC) | (mA) | (WATTS) | (RPM) | (CFM) | (Inch-H ₂ O) | (dB(A)) | (g) | |
| EE92251BX-000U-A99 | ☉ | 12 | 190 | 2.28 | 3400 | 55.0 | 0.21 | 37.5 | 89.0 | 1 |
| EE92251B1-000U-A99 | ☉ | 12 | 165 | 1.98 | 3000 | 51.5 | 0.15 | 34.0 | 96.0 | 2 |
| EE92251B2-000U-999 | ☉ | 12 | 135 | 1.60 | 2700 | 45.0 | 0.13 | 32.0 | 94.0 | 3 |
| EE92251B3-000U-999 | ☉ | 12 | 105 | 1.30 | 2400 | 39.5 | 0.10 | 28.0 | 94.0 | 4 |
| EE92252BX-000U-A99 | ☉ | 24 | 100 | 2.40 | 3400 | 55.0 | 0.21 | 37.5 | 97.4 | 1 |
| EE92252B1-000U-A99 | ☉ | 24 | 87 | 2.10 | 3000 | 51.5 | 0.15 | 34.0 | 96.0 | 2 |
| EE92252B2-000U-999 | ☉ | 24 | 70 | 1.70 | 2700 | 45.0 | 0.13 | 32.0 | 94.0 | 3 |
| EE92252B3-000U-999 | ☉ | 24 | 57 | 1.40 | 2400 | 39.5 | 0.10 | 28.0 | 94.0 | 4 |
| EE92251S1-000U-A99 | ○ | 12 | 165 | 2.00 | 3000 | 51.5 | 0.15 | 34.0 | 94.0 | 2 |
| EE92251S2-000U-999 | ○ | 12 | 135 | 1.60 | 2700 | 45.0 | 0.13 | 32.0 | 94.0 | 3 |
| EE92251S3-000U-999 | ○ | 12 | 105 | 1.30 | 2400 | 39.5 | 0.10 | 28.0 | 94.0 | 4 |
| EE92252S1-000U-A99 | ○ | 24 | 87 | 2.10 | 3000 | 51.5 | 0.15 | 34.0 | 94.0 | 2 |
| EE92252S2-000U-999 | ○ | 24 | 72 | 1.70 | 2700 | 45.0 | 0.13 | 32.0 | 94.0 | 3 |
| EE92252S3-000U-999 | ○ | 24 | 60 | 1.40 | 2400 | 39.5 | 0.10 | 28.0 | 94.0 | 4 |

■ Air Flow-Static Pressure Characteristics



■ External dimensions(mm)



*All model could be customized. Please contact with Sunon Sales.

*Specifications are subject to change without notice. Please Visit SUNON website at <http://www.sunon.com> for update information.