

Connector



Mini USB Connector Series

KLS1-229-5FB Mini-USB-B5F PCB Right Angle SMT Type

MATERIAL

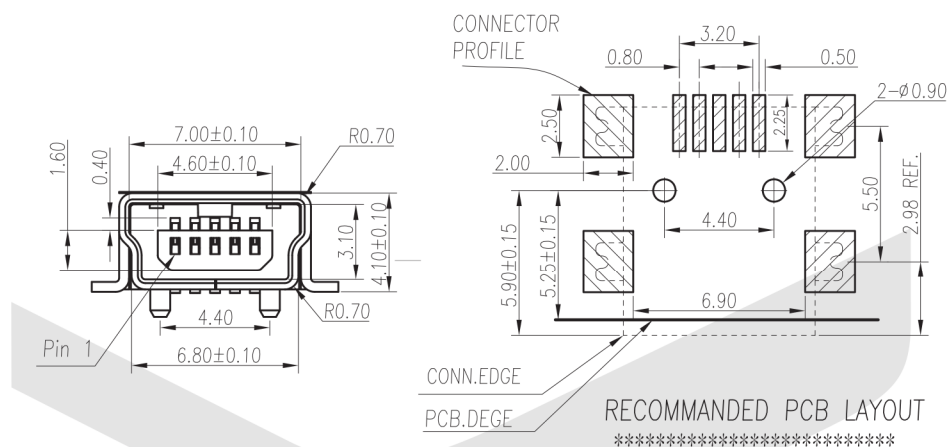
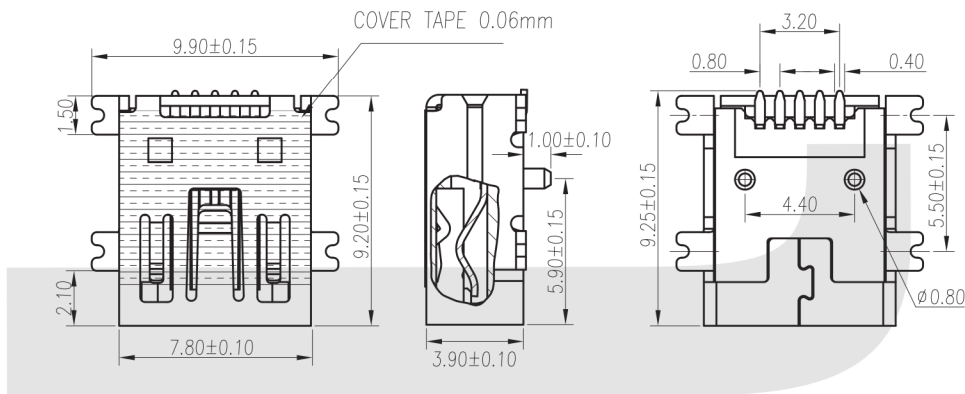
Insulator: LCP Rated UL94V-0
Contacts: Phosphor Bronze
Shell: Phosphor Bronze
Pin Plated: Gold 3u" over 50u" nickel

ELECTRICAL

Current Rating: 1.0 Amps Max.
Contact Resistance: 30 mΩ Max
Insulation Resistance: 1000 MΩ Min
Dielectric Withstanding Voltage: 500 VAC / Minute

MECHANICAL

Mating force: 3.0Kg Max. (29. 4N)
Unmating force: 0. 5Kg Min (4. 9N)
Contact Retention: 0.3 Kg / Pin Min. (2.94N)
Operating Temperature: -55°C ~ +105°C



ORDER INFORMATION

Product NO.: KLS1 - 229-5FB - W

Pos. NO.
Mini-USB 5P SMT Type

Color: W=WHITE
B=BLACK