

# Specification

## Lithium Polymer Battery Pack (LP403448) 600mAh 3.7V with Protection Circuit Module (PCM)

This data sheet describes the requirements and properties of lithium polymer rechargeable battery pack manufactured by AKYGA

### Mechanical Characteristics

Type number: LP403448  
 Designation IEC system: Lithium polymer battery pack  
 Length:  $48 \pm 0.4$ mm  
 Width:  $34 \pm 0.4$ mm  
 Thickness:  $4.0 \pm 0.2$ mm  
 Cable:  $150 \pm 3.0$ mm (26AWG UL 1007)  
 Weight: appr. 12.0g  
 Connector: JST 2.54 male & female connectors

### Electrical Specification

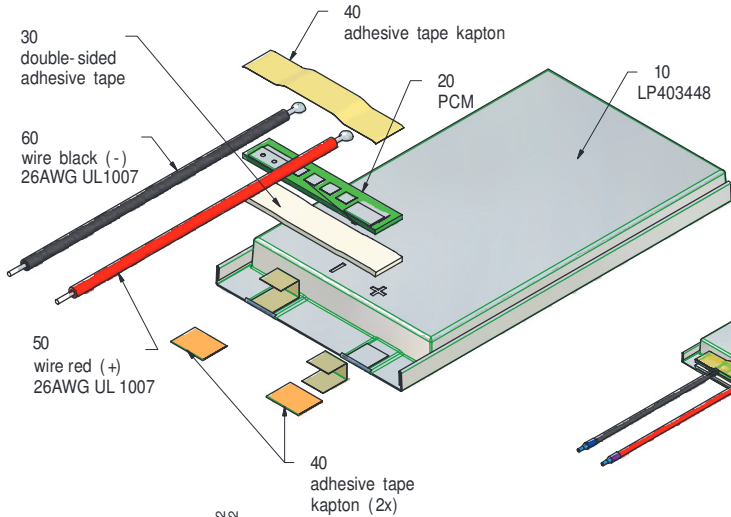
Rated capacity: 600mAh min, 620mAh typ.  
 Nominal voltage: 3.7V  
 Max. operating voltage range: 3.0V to 4.2V  
 Charge voltage:  $4.2 \pm 50$ mV  
 Initial charge current: Standard charge: 300mA  
 Rapid charge: 600mA  
 Charging cut-off (A or B)  
 A) By time: Standard charge: 7 hours  
 Rapid charge: 4 hours  
 B) By min. current: 12.0mA  
 Max continuous discharge current: 600mA  
 Exp. cycle life: >500 cycles >70% of initial cap. (0.5C/0.5C)  
 Internal impedance (1kHz): approx 60mOhm  
 Cell protection  
 Overcharge detection:  $4.325 \pm 25$ mV  
 (0.5 to 2.0 sec. delay, resume  $4.075 \pm 50$ mV)  
 Overdischarge detection:  $3.00V \pm 25$ mV  
 (6.25 to 250msec. delay, resume 2.9V  $\pm 100$ mV)

### Ambient conditions

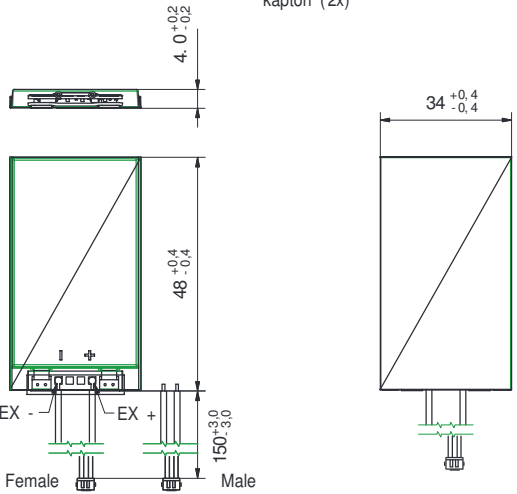
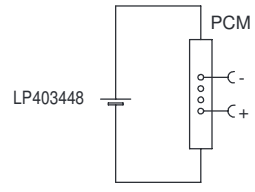
Temperature range  
 Charge: 0 to +45°C  
 Discharge: -20 to +60°C  
 Charge retention/Storage: 1 year at -20 to 20°C >70%  
 3 month at -20 to 45°C >70%  
 1 month at -20 to 60°C >70%

### Safety

Please follow handling and Safety Precautions Poliflex.



### Circuit diagram



Index		Alteration		Date	Name
Projection:		Diese Mae werden besonders gepruft This dimensions are considered inspectable		Material: 6645175 6819	
Mae in mm All dimensions in mm	Freimatoleranzen General tolerances	Ent./Orig. Date	12.08.2013	Xie Qingfang	
Als Betriebsgeheimnis anvertraut, alle Rechte vorbehalten.	up to 6 over 6 up to 30	Beit./Desig. Rev./Chex	12.08.2013	Guo Daxia	
Proprietary data, company confidential, all rights reserved.	over 30 up to 100 over 100	Benennung/ Designation LP403448		Zchng. / Desig. Nr. 3 FD_2566_16	
		Origin:		Index	