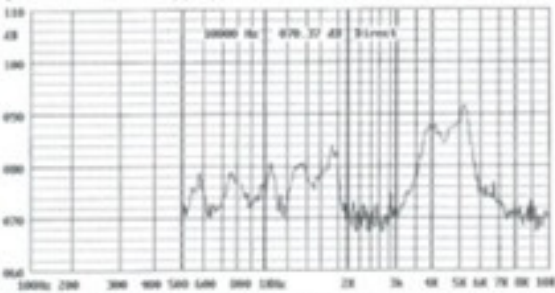


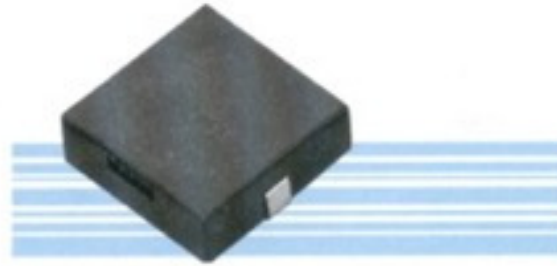
SPT-1448 SMT TRANSDUCER

FREQUENCY RESPONSE

[actual curve of type]



applied voltage: 10V, 1/2 duty, square wave distance for measurement: 10cm



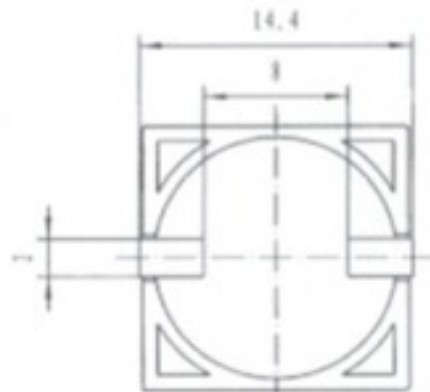
color Black

PPS Housing Material

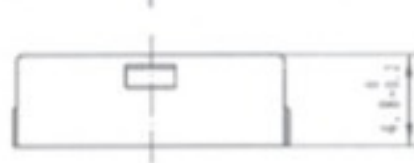
SMT Terminal

Model No	SPT-1448
Rated Voltage	12Vp-p Square Wave
Operating Voltage	30Vp-p Square Wave
Max. Rated Current	2mA at 4KHz /12Vp-p Square Wave
Min. Sound Pressure Level	85dB at 4KHz /12Vp-p Square Wave
Capacitance at 100Hz	10000 ± 30%pF
Resonant Frequency	4.0KHz
Operating Temperature	-20→+80°C
Weight	1 g

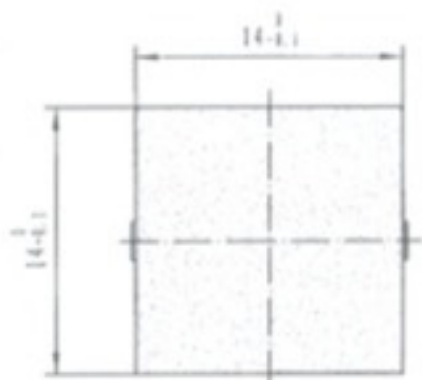
DIMENSIONS



Bottom View



Side View



Top View

all dimensions are in mm