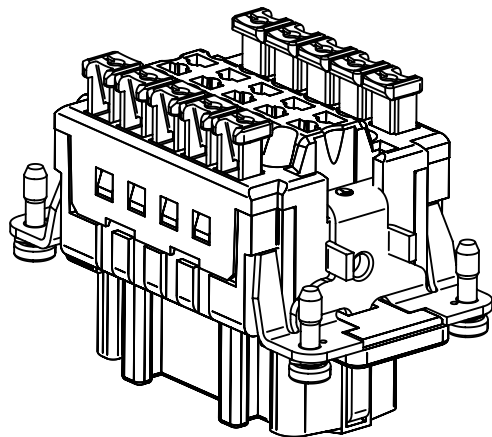
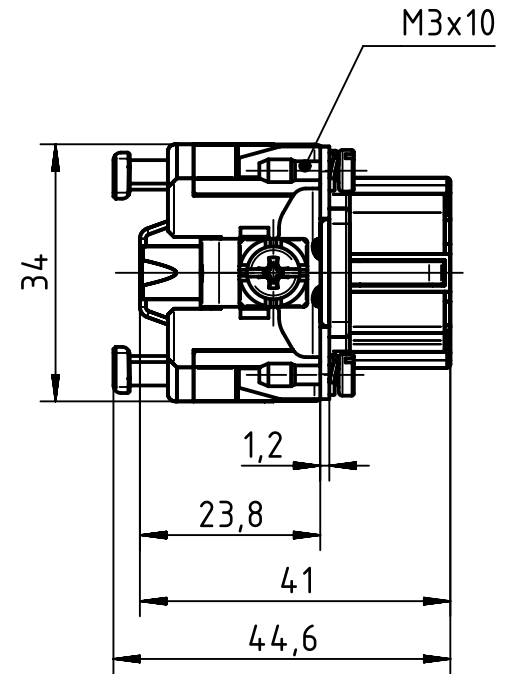
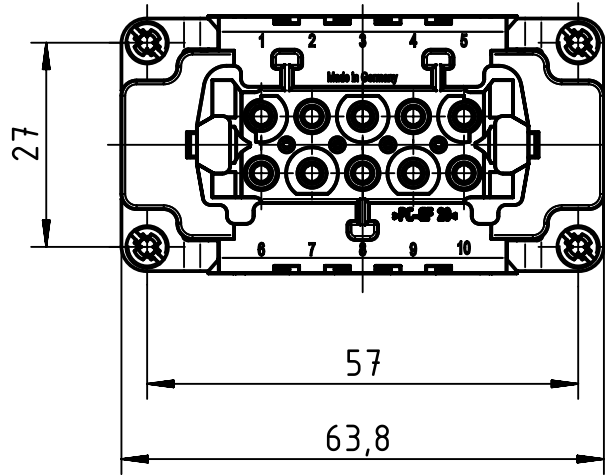
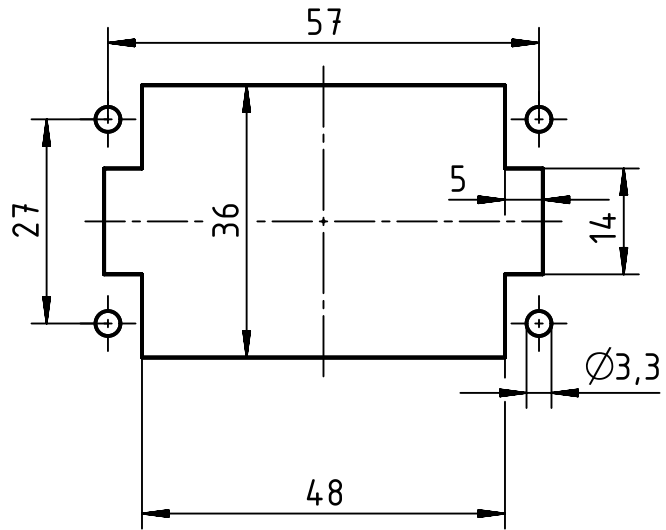



panel cut out



|   |  |  |                          |                             |  |                        |
|---|--|--|--------------------------|-----------------------------|--|------------------------|
|  | All rights reserved<br>Department EL PD - DE | All Dimensions in mm<br>Original Size DIN A4 |                          | Scale<br>1:1                | Free size tol.   | Ref.                   |
|   |  | Created by<br>MOELLERLI                      | Inspected by<br>RUETERA  | Standardisation<br>TIEMANNA | Date<br>2016-04-11                                       | State<br>Final Release |
| HARTING Electric GmbH & Co. KG<br>D-32339 Espelkamp                                 |  | Title<br>Han 10ES Press - F                  |                          |                             | Doc-Key / ECM-Nr.<br>100616696/UGD/002/B<br>500000103088 |                        |
|   |  | Type<br>TB                                   | Number<br>09 33 010 2748 |                             | Rev.<br>B  | Page<br>1/1            |

# Mouser Electronics

Authorized Distributor

Click to View Pricing, Inventory, Delivery & Lifecycle Information:

[HARTING:](#)

[09330102748](#)