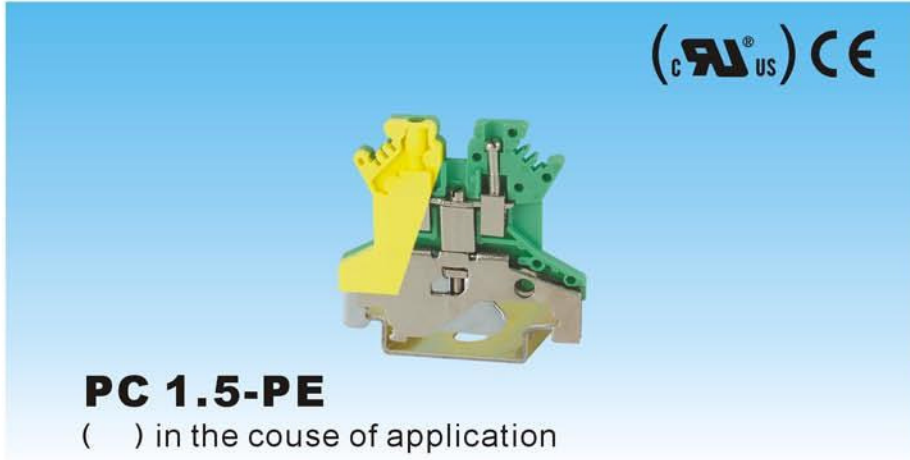


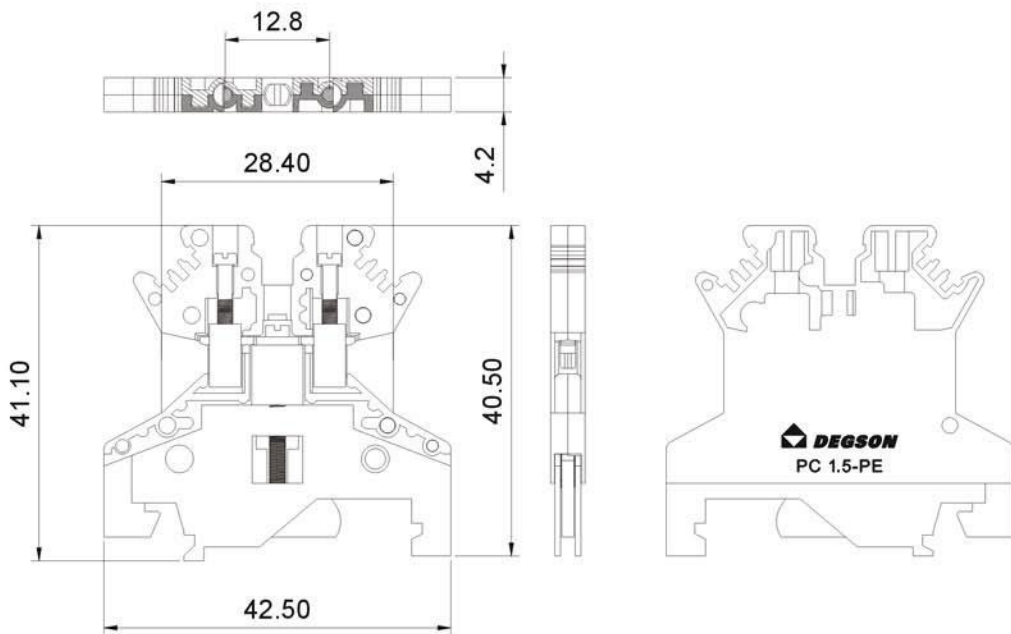


DEGSON ELECTRONICS CO., LTD.

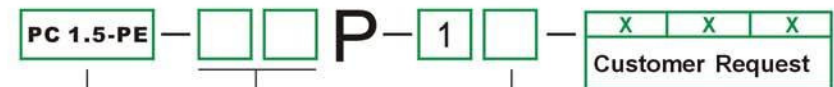
Product Specification



Specification	Model	PCS
(1) Ground Terminal Block	PC 1.5-PE	50
(2) Zack Strip	ZB 4	
Thickness / Width	[mm]	4.2 / 42.5 mm
Height (NS35:7.5/NS35:15/NS32)	[mm]	42 / 49.5 / 47 mm
Rated surge Voltage/Contaminatin class	kV / -	6kV / 3
Wire Size	[mm ²] / AWG	0.14-1.5 mm ² / 26-16 AWG
Stripping Length	[mm]	7 mm
Clamping Screw:Screw Thread / Tightening Torque	- / [Nm]	M2 / 0.22-0.25 Nm
Fixing Screw:Screw Thread / Tightening Torque	- / [Nm]	M2 / 0.22-0.25 Nm
Internal Cylindrical Gage		A1
Insulating Material / Inflammability Class		PA / V-0



HOW TO ORDER:



Series No. No. of Pole

Color

1 Gray	4 Green	7 Trans- parent
2 Blue	5 Orange	8 Yellow
3 Black	6 Red	9 White

	DEGSON ELECTRONICS CO., LTD.
	NAME PC 1.5-PE