

# TERMINAL BLOCK Connector



## PCB Series

KLS2-128I-5.00/5.08 Series Pitch=5.00mm/5.08mm

### Electrical :

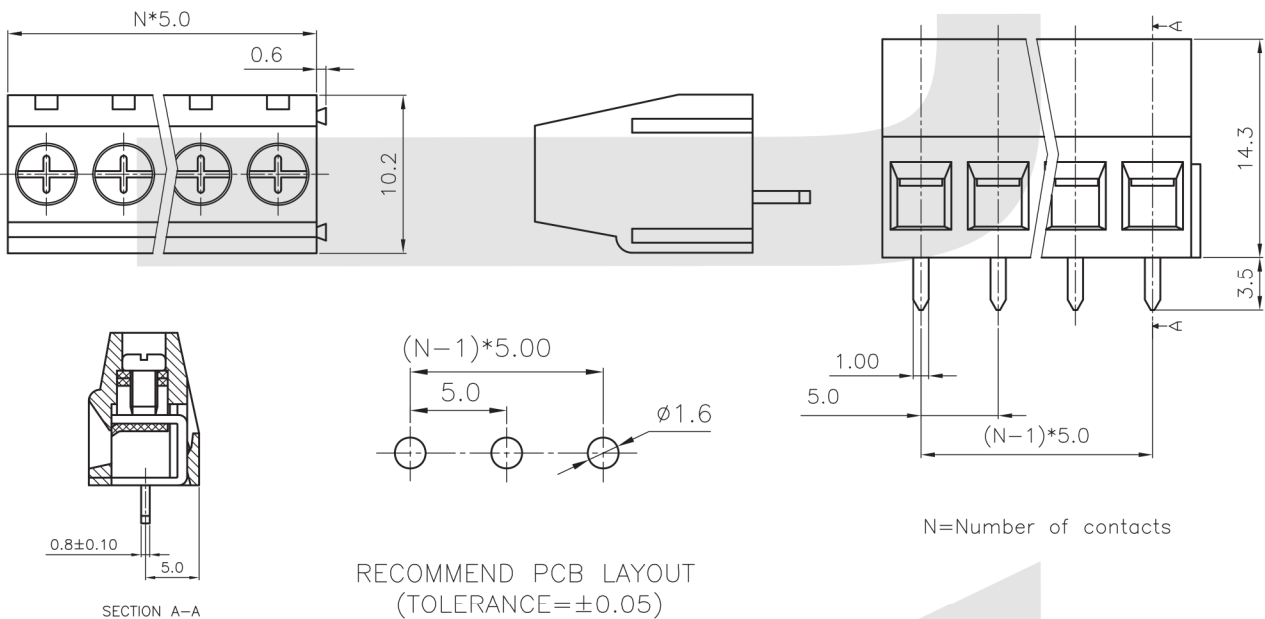
Rated voltage: 300V  
Rated current: 16A  
Contact resistance: 20mΩ  
Insulation resistance: 5000MΩ/1000V  
Withstanding Voltage: AC1500V/1Min  
Wire range: 24-12AWG 2.5mm<sup>2</sup>

### Material

Screws: M2.5 steel Zinc plated  
Contact: Brass  
Pin header: Brass, Tin plated  
Housing: PA66, UL94V-0

### Mechanical

Temp. Range: -40°C~+105°C  
MAX Soldering: +250°C for 5 Sec.  
Torque: 0.4Nm (3.6lb.in)  
Strip length: 6-7mm



## ORDER INFORMATION

Product NO.: KLS2-128I-5.00-XXP X X X

Pos. NO. \_\_\_\_\_ Customer Request  
Series No. \_\_\_\_\_  
Pitch: 5.00=5.00mm 10.00=10.00mm  
5.08=5.08mm 10.16=10.16mm  
Number of Pole \_\_\_\_\_

Screw: C=Cross Screw  
S=Slot Screw  
Color: 1=Gray 2=Blue 3=Black  
4=Green 5=Orange 6=Red  
7=Transparent 8=Yellow 9=White