



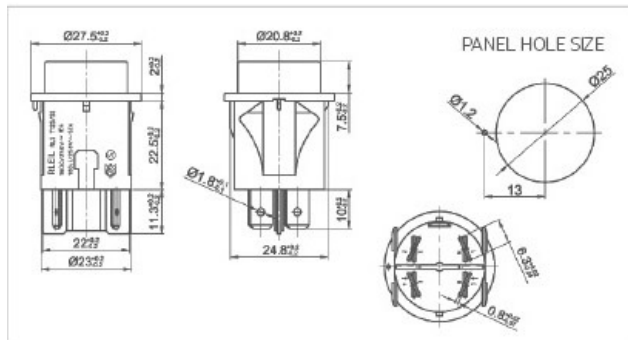
Company **Products** Special products PBC's Catalogue Contact

- Rocker switches
- Slide switches
- Push switches**
- Micro switches
- Rotary switches
- Indicator lamps
- Power sockets
- Cables
- Accessories
- Special products
- PBC's

Push Switch RL-51



RL-51-21/N-RE/BK-P1-P-2



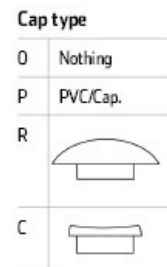
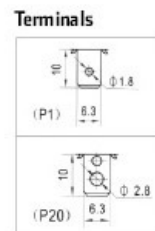
RU cRU

16 (6)A 250VAC T125/55 1E4
 10 (4)A 250VAC T125/55 SE4
 3/4HP 250VAC
 1/2HP 250VAC
 16A 125 VAC T105

RL-51 - 21/N - RE/BK - P1 - 0 ... (2)				
Function	Cap colour / Housing	Terminals	Cap type	Voltage

Function	
21/N	ON - OFF - 4P w/lamp
21	ON - OFF 4T
21(O/N)	(ON) - OFF 4T
21(O/N)N	(ON) - OFF 4T w/lamp
11	ON - OFF 2T
11(O/N)	(ON) - OFF 2T
00	INDICATOR LAMP

Cap colour/Housing	
WT	White
BK	Black
RE	Red
OR	Orange
GR	Green
BL	Blue
GE	Grey



Voltage	
1	110VAC
2	220VAC
3	12VDC
4	24VDC

