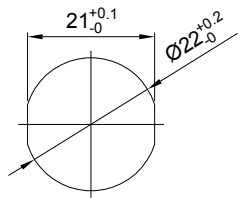
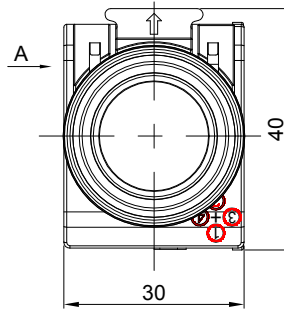
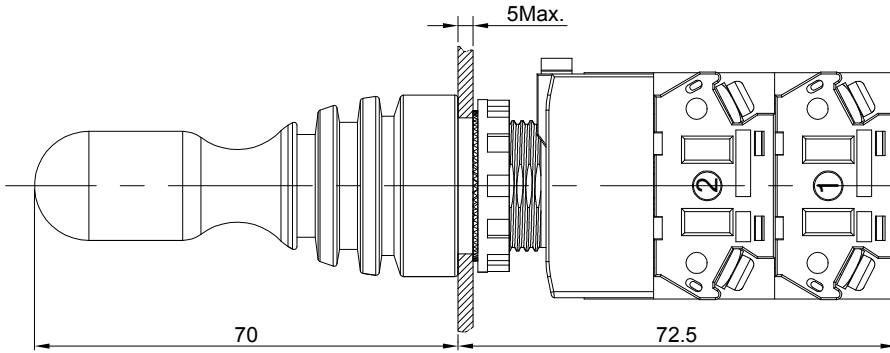
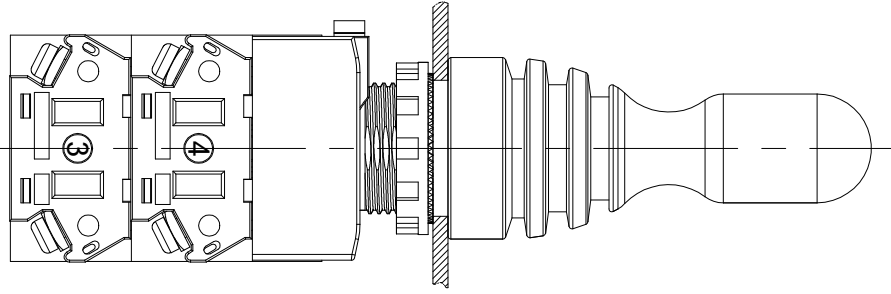
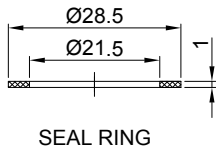


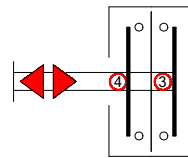
VIEW A



PANEL CUTOUT



SEAL RING



CONTACT COMPOSITION  
( THIS SWITCH BLOCKS IS TWO-POSITION ; ①、②、③、④ORIGINAL IS NORMAL OPEN(NO.) . )

**SPECIFICATIONS:**

- 1.SWITCH RATING:  $U_i:500V, I_{th}:10A$ .
- 2.MECHANICAL LIFE:  $\geq 500,000$  cycles.
- 3.ELECTRICAL LIFE:  $\geq 10,000$  cycles.
- 4.CONTACT RESISTANCE:  $\leq 50m\Omega$ .
- 5.INSULATION RESISTANCE:  $\geq 100M\Omega(500VDC)$ .
- 6.DIELECTRIC STRENGTH:  $3,000V, RMS 50Hz, 1min$ .
- 7.OPERATING TEMPERATURE:  $-25^{\circ}C \sim +55^{\circ}C$ (NO FREEZING, KEEP THE AIR FLOWING AROUND PUSHBUTTON ).
- 8.FRONT PANEL PROTECTION DEGREE: IP67.
- 9.GENERAL TOLERANCE: $0-18mm=\pm 0.25, 18-80mm=\pm 0.52$ .
- 10.RoHS CAN BE CUSTOMIZED.

**MATERIALS:**

- 1.CONTACT: SILVER ALLOY.
- 2.BUTTON: BUTYRONITRILE.
- 3.BODY: PA.
- 4.BASE: PC.

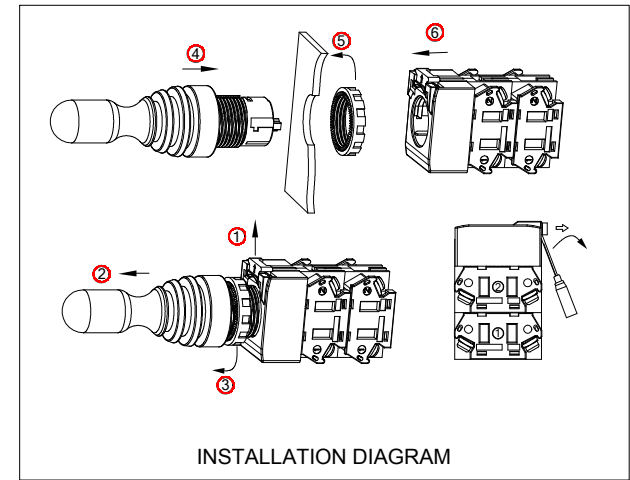
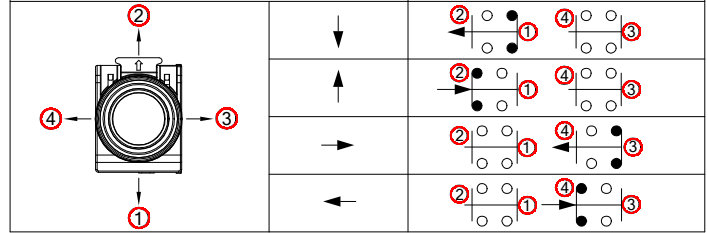
FOR  
客户名称

APPROVED  
客户确认签字

ATTN  
销售负责人

FUNCTIONAL POSITION

CONTACT DIAGRAM



INSTALLATION DIAGRAM

PART NUMBER:LAS0-K-40C4◆

"◆"	OPERATING TYPE
1	MAINTAIN
3	RETURN

BRAND 品牌		红波按钮制造有限公司		
ONPOW 欧宝龙®		ONPOW PUSH BUTTON MANUFACTURE CO.,LTD.		
TITLE 名称	ROCKER SWITCH			UNIT 单位 mm
DWG NO. 图号	LAS0-K-40C		SCALE 比例 0.8 : 1	SIZE 图纸 A4
FILE NAME 档案名称	LAS0-K-C.DWG	DRAWN 制图 HCP	2024/02/01	SHEET 张 1/1 REV. 更改 1